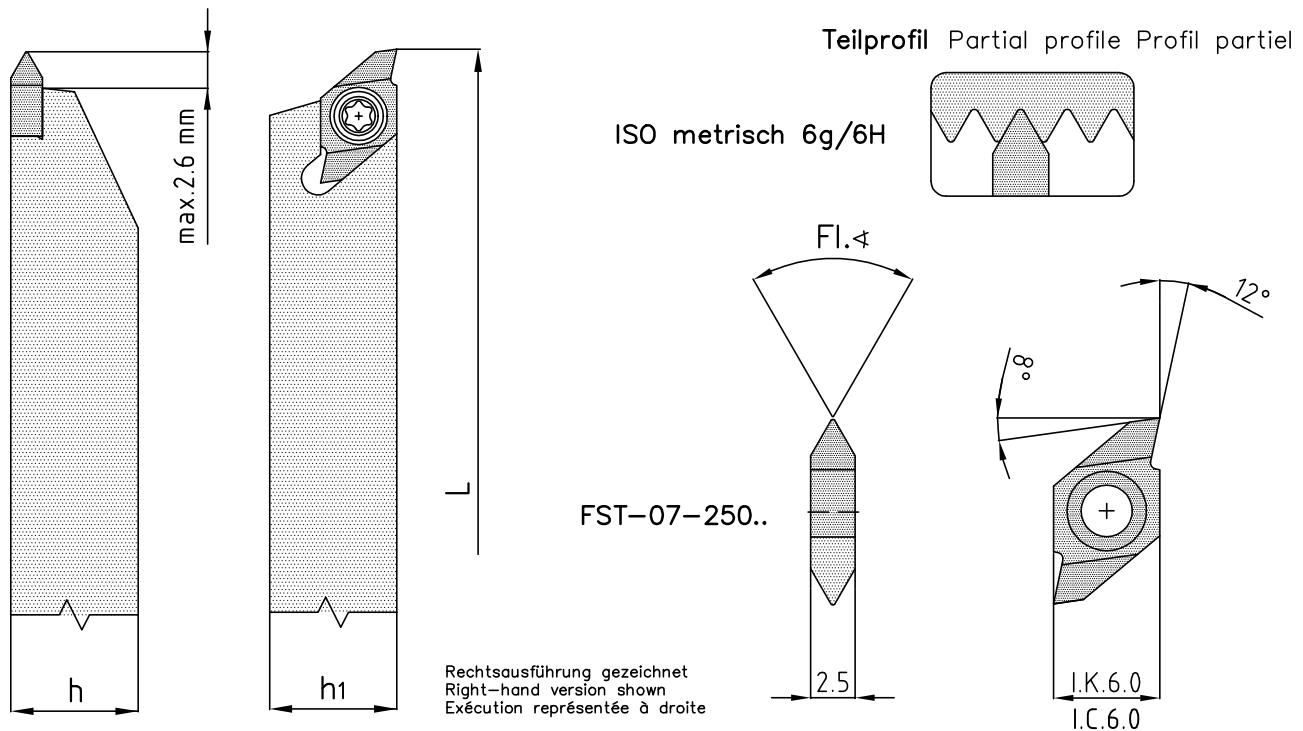


Außengewindestrehlen External threading Filetage extérieur



Bestellbezeichnung Order number Désignation de commande



Seite Page 20

Halter Holder Porte-outils	h	h1	L	Schraube Screw Vis	Schlüssel Key Clef
ANF-07-0808-L/R	8	8	140	S 253545	T7
ANF-07-1010-L/R	10	10	140		
ANF-07-1212-L/R	12	12	140		

Rechter Halter rechte Platte  
Right-hand holder right-hand insert  
Porte-outil droite Plaquette droite

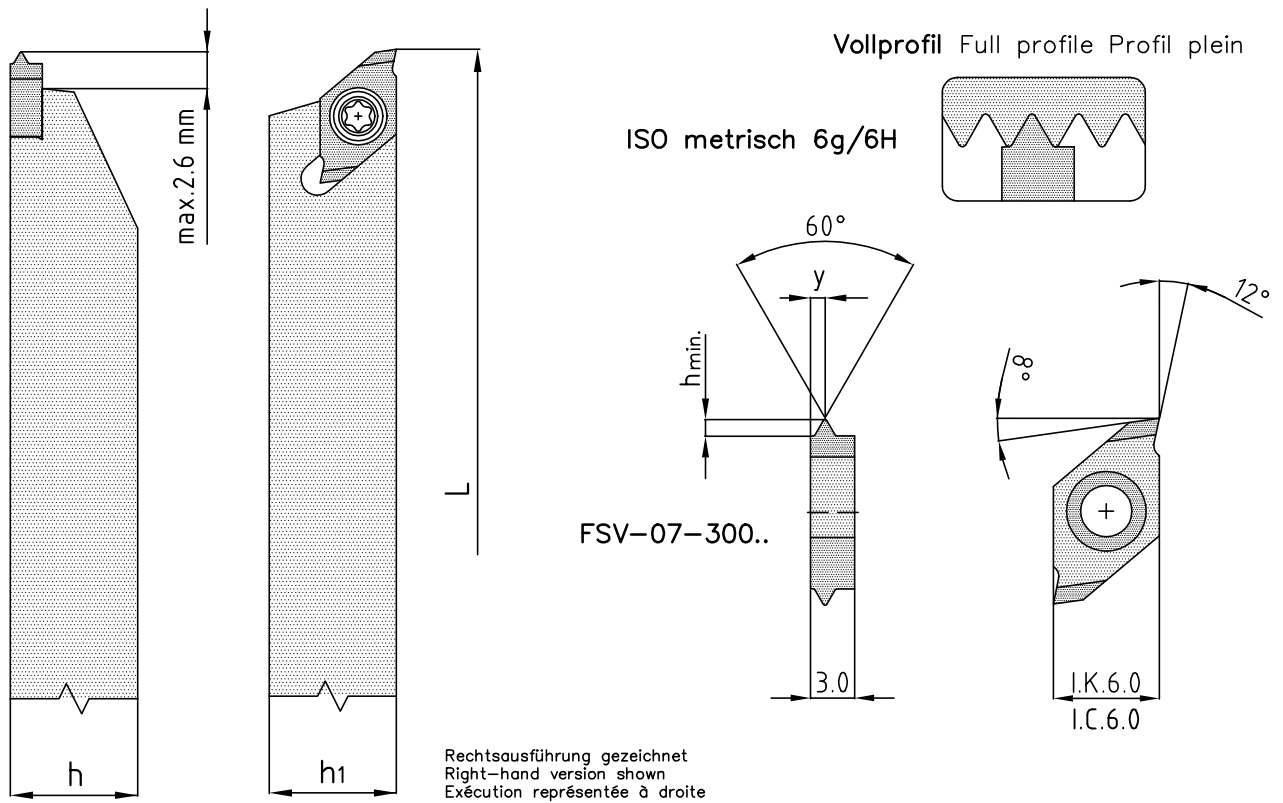
Linker Halter linke Platte  
Left-hand holder left-hand insert  
Porte-outil gauche Plaquette gauche

Wendepplatten ISO Metrisch 60° Indexable inserts ISO metric 60° Plaquettes réversibles ISO métriques 60°	Beschichtet Coated Revêtu	Unbeschichtet Uncoated Non-revêtu	Type Type Type	Steigungsbereich mm Range of pitch mm Gamme de pas mm	Fl.4
FST-07-250-60°-T1-12°-L/R-G1A	BD1		T1	0.5-0.6-0.7-0.75-0.8	60°
FST-07-250-60°-T2-12°-L/R-G1A	BD1		T2	1.0-1.25-1.5	
FST-07-250-60°-T3-12°-L/R-G1A	BD1		T3	1.75-2.0	
FST-07-250-60°-T4-12°-L/R-G1A	BD1		T4	2.5-3.0	

Wendepplatten UN American Unified 60° Indexable inserts UN American Unified 60° Plaquettes réversibles UN American Unified 60°	Beschichtet Coated Revêtu	Unbeschichtet Uncoated Non-revêtu	Type Type Type	Gangzahl auf 1 Zoll Number of threads per inch Nombre de filets au pouce	Fl.4
FST-07-250-60°-T1-12°-L/R-G1A	BD1		T1	48-44-40-36-32	60°
FST-07-250-60°-T2-12°-L/R-G1A	BD1		T2	28-27-24-20	
FST-07-250-60°-T3-12°-L/R-G1A	BD1		T3	18-16-14-13	
FST-07-250-60°-T4-12°-L/R-G1A	BD1		T4	12-11.5-11-10-9	

Wendepplatten BSW Whitworth G°55° Indexable inserts BSW Whitworth G°55° Plaquettes réversibles BSW Whitworth G°55°	Beschichtet Coated Revêtu	Unbeschichtet Uncoated Non-revêtu	Type Type Type	Gangzahl auf 1 Zoll Number of threads per inch Nombre de filets au pouce	Fl.4
FST-07-250-55°-T6-12°-L/R-G1A	BD1		T6	72-60-56-48-40-36-32	55°
FST-07-250-55°-T7-12°-L/R-G1A	BD1		T7	28-26-24-22-20-19-18	
FST-07-250-55°-T8-12°-L/R-G1A	BD1		T8	16-14-12-11-10-9	

Außengewindestrehlen External threading Filetage extérieur

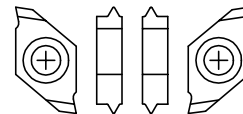


Bestellbezeichnung Order number Désignation de commande

Halter Holder Porte-outils	h	h1	L	Schraube Screw Vis	Schlüssel Key Clef
ANF-07-0808-L/R	8	8	140	 S 253545	 T7
ANF-07-1010-L/R	10	10	140		
ANF-07-1212-L/R	12	12	140		

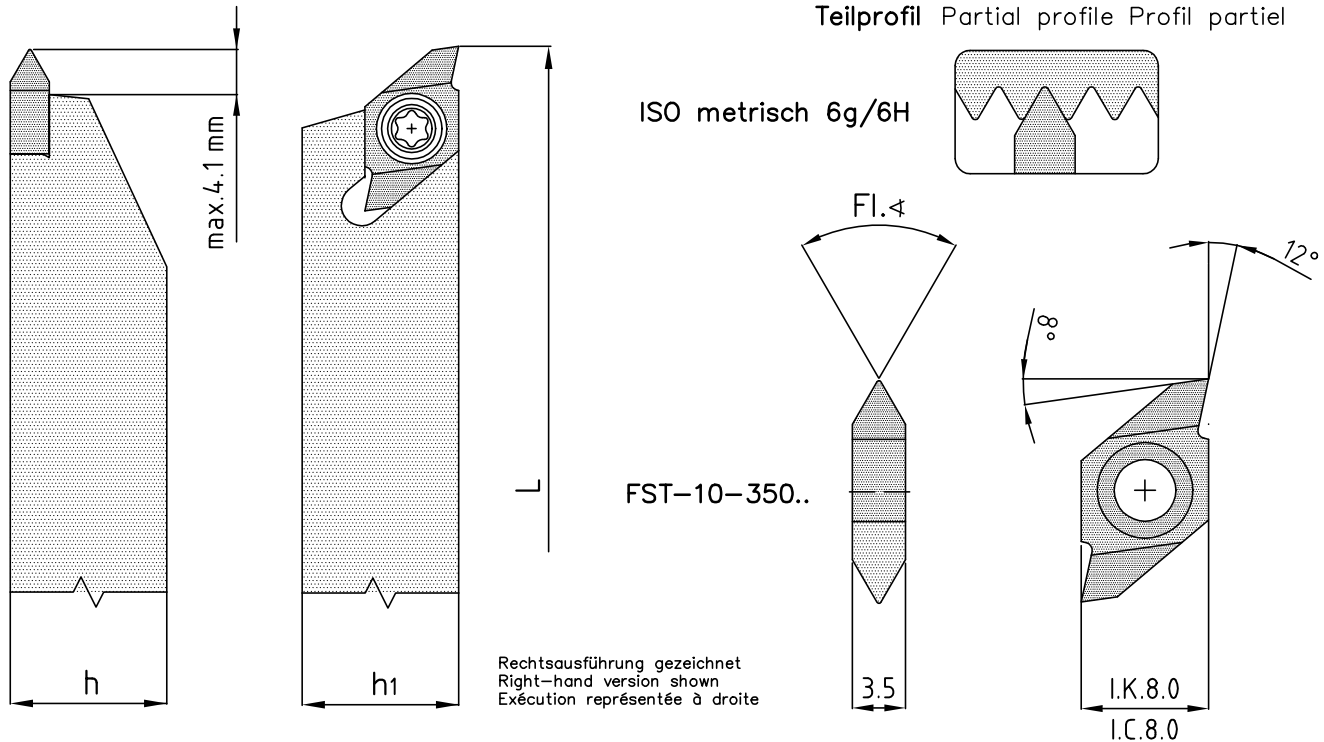
Linker Halter linke Platte  
Left-hand holder left-hand insert  
Porte-outil gauche Plaquette gauche

Rechter Halter rechte Platte  
Right-hand holder right-hand insert  
Porte-outil droite Plaquette droite



Wendepplatten ISO Metrisch 60° Indexable inserts ISO metric 60° Plaquettes réversibles ISO métriques 60°	Beschichtet Coated Revêtu	Steigung mm Pitch mm Pas mm	h <sub>min.</sub>	y	Links Left Gauche	Rechts Right Droite	
FSV-07-300-60°-0.5-12°-L/R-G1A	BD1	0.5	0.31	0.4			ab Lager ex stock en magasin  auf Anfrage on request sur demande  Seite Page 20
FSV-07-300-60°-0.6-12°-L/R-G1A	BD1	0.6	0.37	0.6			
FSV-07-300-60°-0.7-12°-L/R-G1A	BD1	0.7	0.43	0.6			
FSV-07-300-60°-0.75-12°-L/R-G1A	BD1	0.75	0.46	0.6			
FSV-07-300-60°-0.8-12°-L/R-G1A	BD1	0.8	0.49	0.6			
FSV-07-300-60°-1.0-12°-L/R-G1A	BD1	1.0	0.61	0.7			
FSV-07-300-60°-1.25-12°-L/R-G1A	BD1	1.25	0.77	0.9			
FSV-07-300-60°-1.5-12°-L/R-G1A	BD1	1.5	0.92	1.0			
FSV-07-300-60°-1.75-12°-L/R-G1A	BD1	1.75	1.07	1.2			
FSV-07-300-60°-2.0-12°-L/R-G1A	BD1	2.0	1.23	1.3			
FSV-07-300-60°-2.5-12°-L/R-G1A	BD1	2.5	1.53	1.5			

Außengewindestrehlen External threading Filetage extérieur



Bestellbezeichnung Order number Désignation de commande

Halter Holder Porte-outils	h	h1	L	Schraube Screw Vis	Schlüssel Key Clef
ANF-10-1212-L/R	12	12	140		
ANF-10-1616-L/R	16	16	125		
ANF-10-2020-L/R	20	20	125		
ANF-10-2525-R	25	25	125		



Seite Page 20

**Rechter Halter rechte Platte**  
Right-hand holder right-hand insert  
Porte-outil droite Plaque droite

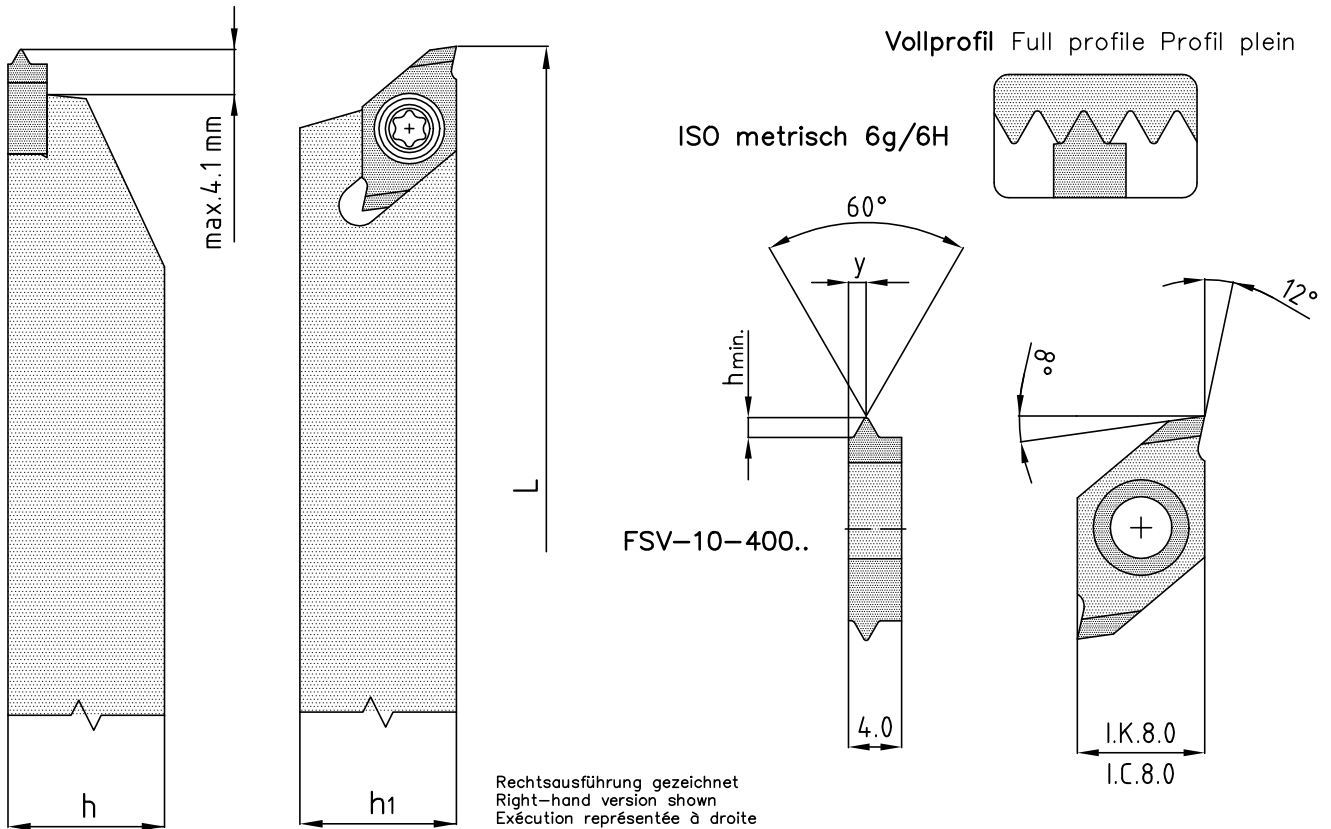
**Linker Halter linke Platte**  
Left-hand holder left-hand insert  
Porte-outil gauche Plaque gauche

Wendepplatten ISO Metrisch 60° Indexable inserts ISO metric 60° Plaquettes réversibles ISO métriques 60°	Beschichtet Coated Revêtu	Unbeschichtet Uncoated Non-revêtu	Type Type Type	Steigungsbereich mm Range of pitch mm Gamme de pas mm	Fl. 4
FST-10-350-60°-T1-12°-L/R-G1A	BD1		T1	0.5-0.6-0.7-0.75-0.8	60°
FST-10-350-60°-T2-12°-L/R-G1A	BD1		T2	1.0-1.25-1.5	
FST-10-350-60°-T3-12°-L/R-G1A	BD1		T3	1.75-2.0	
FST-10-350-60°-T4-12°-L/R-G1A	BD1		T4	2.5-3.0	

Wendepplatten UN American Unified 60° Indexable inserts UN American Unified 60° Plaquettes réversibles UN American Unified 60°	Beschichtet Coated Revêtu	Unbeschichtet Uncoated Non-revêtu	Type Type Type	Gangzahl auf 1 Zoll Number of threads per inch Nombre de filets au pouce	Fl. 4
FST-10-350-60°-T1-12°-L/R-G1A	BD1		T1	48-44-40-36-32	60°
FST-10-350-60°-T2-12°-L/R-G1A	BD1		T2	28-27-24-20	
FST-10-350-60°-T3-12°-L/R-G1A	BD1		T3	18-16-14-13	
FST-10-350-60°-T4-12°-L/R-G1A	BD1		T4	12-11.5-11-10-9	

Wendepplatten BSW Whitworth G°55° Indexable inserts BSW Whitworth G°55° Plaquettes réversibles BSW Whitworth G°55°	Beschichtet Coated Revêtu	Unbeschichtet Uncoated Non-revêtu	Type Type Type	Gangzahl auf 1 Zoll Number of threads per inch Nombre de filets au pouce	Fl. 4
FST-10-350-55°-T6-12°-L/R-G1A	BD1		T6	72-60-56-48-40-36-32	55°
FST-10-350-55°-T7-12°-L/R-G1A	BD1		T7	28-26-24-22-20-19-18	
FST-10-350-55°-T8-12°-L/R-G1A	BD1		T8	16-14-12-11-10-9	

Außengewindestrehlen External threading Filetage extérieur

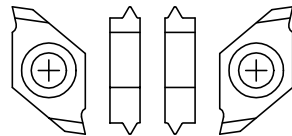


Bestellbezeichnung Order number Désignation de commande

Halter Holder Porte-outils	h	h1	L	Schraube Screw Vis	Schlüssel Key Clef
ANF-10-1212-L/R	12	12	140	 M3x8-T10	 T10
ANF-10-1616-L/R	16	16	125		
ANF-10-2020-L/R	20	20	125		
ANF-10-2525-R	25	25	125		

Linker Halter linke Platte  
Left-hand holder left-hand insert  
Porte-outil gauche Plaquette gauche

Rechter Halter rechte Platte  
Right-hand holder right-hand insert  
Porte-outil droite Plaquette droite



Wendeplatten ISO Metrisch 60°  
Indexable inserts ISO metric 60°  
Plaquettes réversibles ISO métriques 60°

	Beschichtet Coated Revêtu	Steigung mm Pitch mm Pas mm	h <sub>min.</sub>	y	Links Left Gauche	Rechts Right Droite	
FSV-10-400-60°-0.5-12°-L/R-G1A	BD1	0.5	0.31	0.4			ab Lager ex stock en magasin  auf Anfrage on request sur demande  Seite Page 20
FSV-10-400-60°-0.6-12°-L/R-G1A	BD1	0.6	0.37	0.6			
FSV-10-400-60°-0.7-12°-L/R-G1A	BD1	0.7	0.43	0.6			
FSV-10-400-60°-0.75-12°-L/R-G1A	BD1	0.75	0.46	0.6			
FSV-10-400-60°-0.8-12°-L/R-G1A	BD1	0.8	0.49	0.6			
FSV-10-400-60°-1.0-12°-L/R-G1A	BD1	1.0	0.61	0.7			
FSV-10-400-60°-1.25-12°-L/R-G1A	BD1	1.25	0.77	0.9			
FSV-10-400-60°-1.5-12°-L/R-G1A	BD1	1.5	0.92	1.0			
FSV-10-400-60°-1.75-12°-L/R-G1A	BD1	1.75	1.07	1.2			
FSV-10-400-60°-2.0-12°-L/R-G1A	BD1	2.0	1.23	1.3			
FSV-10-400-60°-2.5-12°-L/R-G1A	BD1	2.5	1.53	1.5			
FSV-10-400-60°-3.0-12°-L/R-G1A	BD1	3.0	1.84	1.6			