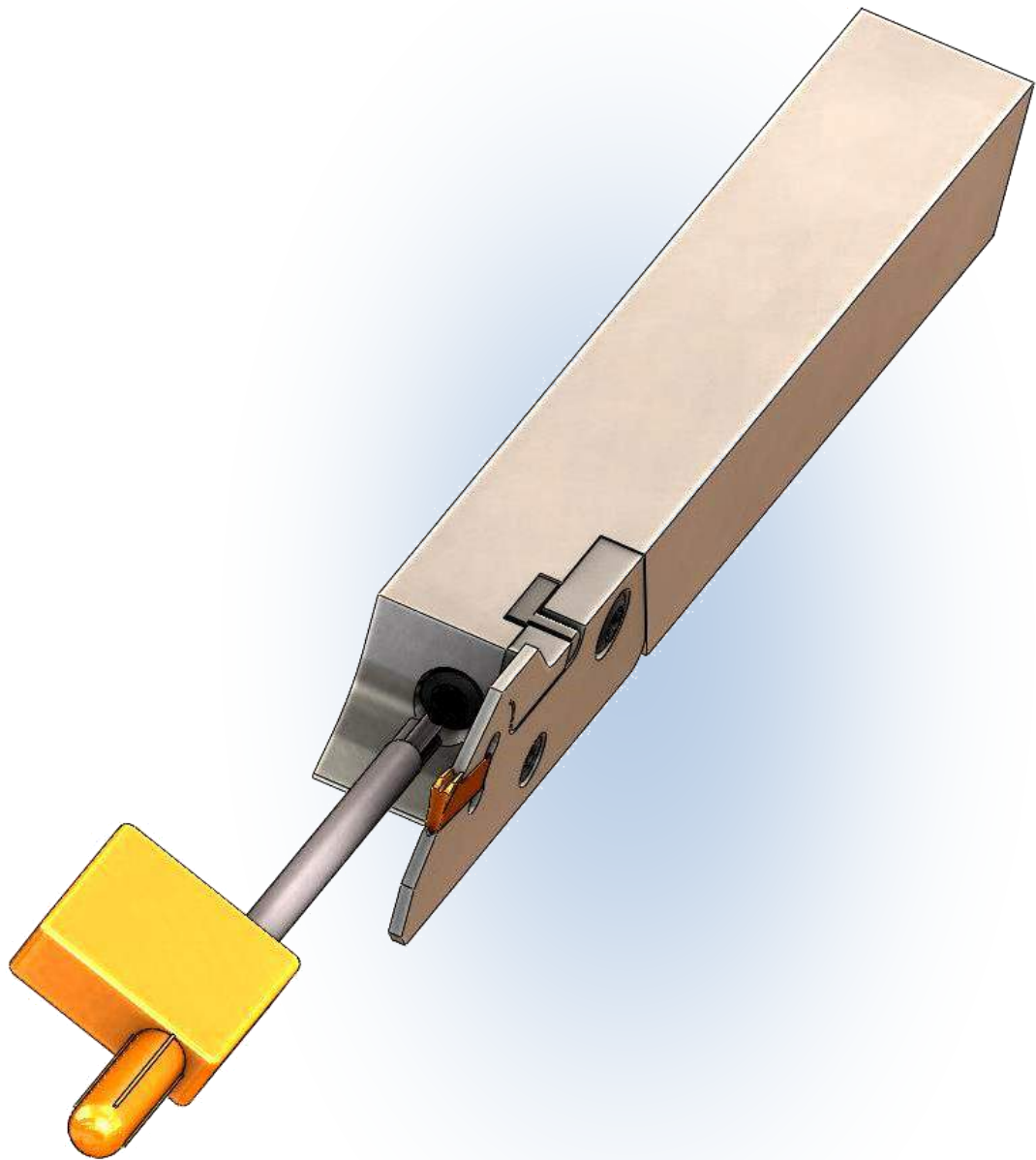
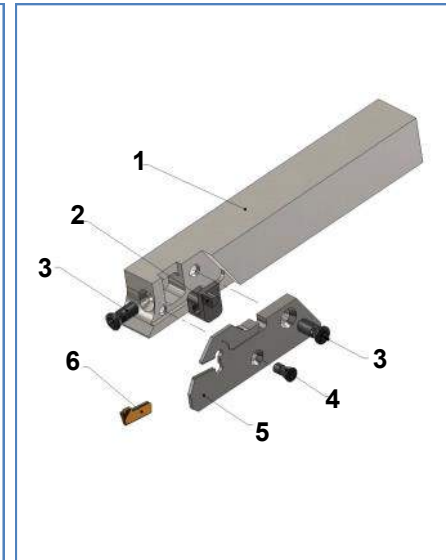
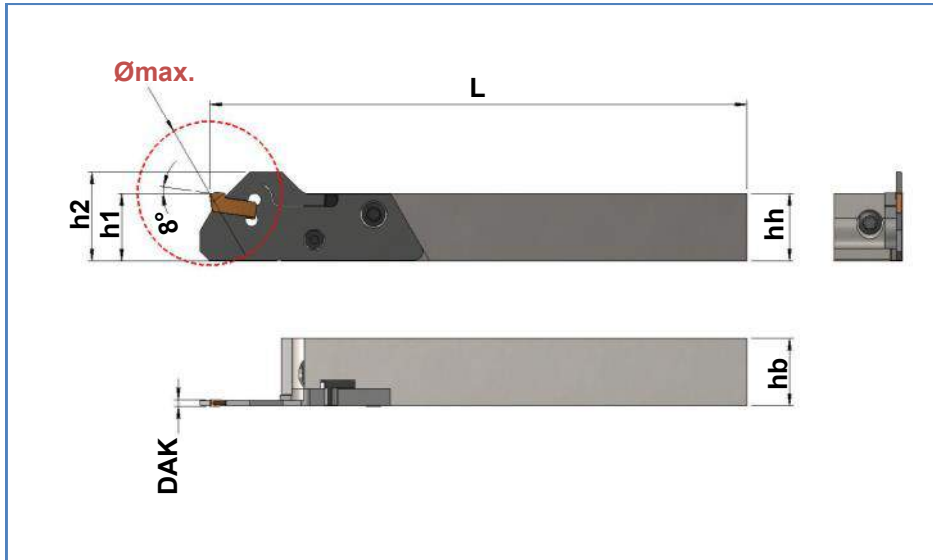


## Abstechen / Parting off / Tronçonnage



**Abstechen / Parting off / Tronçonnage**
**DIE-DAK-U-1616-42-R**
**Art. Nr. 118591**

**1. Grundhalter**

 Basic tool holder  
 Porte-outil de base

Art. Nr. Item no. No. d'art.	Best. Nr. Ref. no. Réf.	hb	hh	h1 +0,05	h2	L
118591	DIE-DAK-U-1616-42-R	16	16	16	21	125

Nr. no.	Art. Nr. Item no. No. d'art.	Best. Nr. Ref. no. Réf.	Bezeichnung description désignation
(1x)	2 118593	DIE-DAK-U-4-R	Spannstück / Spanner / Tendeur
(2x)	3 102217	M4x9.5-T15	Spannschraube / Fixing screw / Vis de fixation
(1x)	4 102609	S305550-T8	Spannschraube / Fixing screw / Vis de fixation

**5. Adapter**

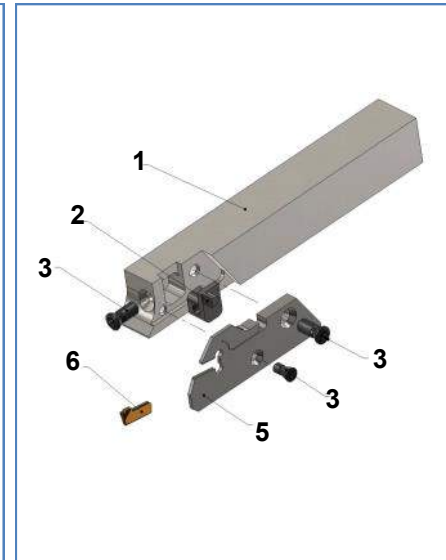
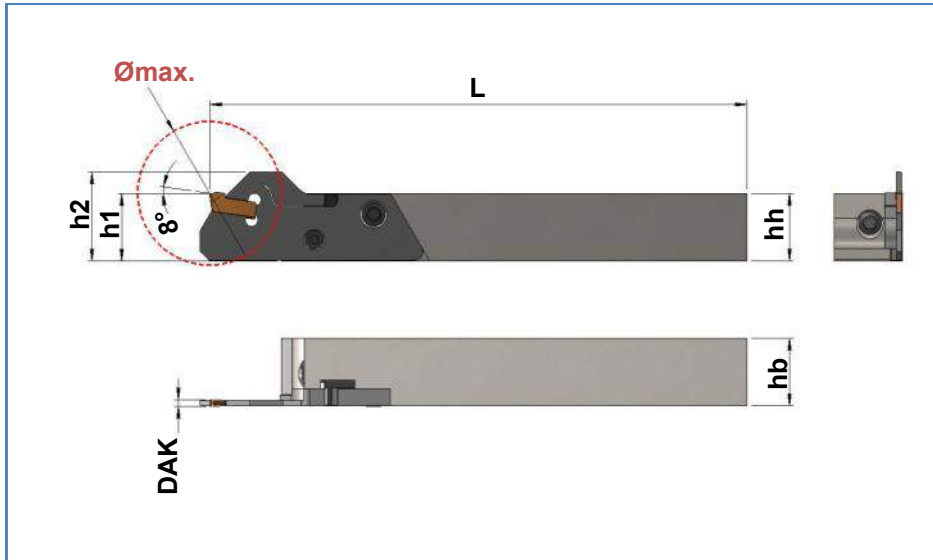
 Adapter  
 Adapteur

Art. Nr. Item no. No. d'art.	Best. Nr. Ref. no. Réf.	DAK	Ømax.
124765	DIE-DAK-U-16-16-17-R	1.6	34
120303	DIE-DAK-U-16-16-42-R	1.6	42
124766	DIE-DAK-U-16-24-17-R	2.4	34
120114	DIE-DAK-U-16-24-42-R	2.4	42

**6. HM-Wechselplatten**

 Carbide interchangeable inserts  
 Plaquettes interchangeables

**DAK-1.6...**
**DAK-1.6...**
**DAK-2.4...**
**DAK-2.4...**

**Abstechen / Parting off / Tronçonnage**
**DIE-DAK-U-2020-42-R**
**Art. Nr. 118594**

**1. Grundhalter**

 Basic tool holder  
 Porte-outil de base

Art. Nr. Item no. No. d'art.	Best. Nr. Ref. no. Réf.	hb	hh	h1 +0,05	h2	L
118594	DIE-DAK-U-2020-42-R	20	20	20	25	125

Nr. no.	Art. Nr. Item no. No. d'art.	Best. Nr. Ref. no. Réf.	Bezeichnung description désignation	
(1x)	2	118593	DIE-DAK-U-4-R	Spannstück / Spanner / Tendeur
(3x)	3	102217	M4x9.5-T15	Spannschraube / Fixing screw / Vis de fixation

**5. Adapter**

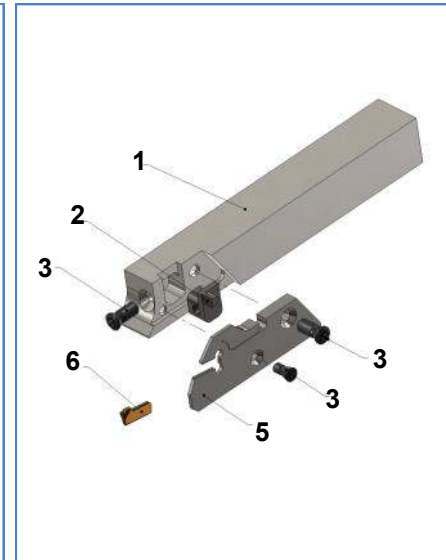
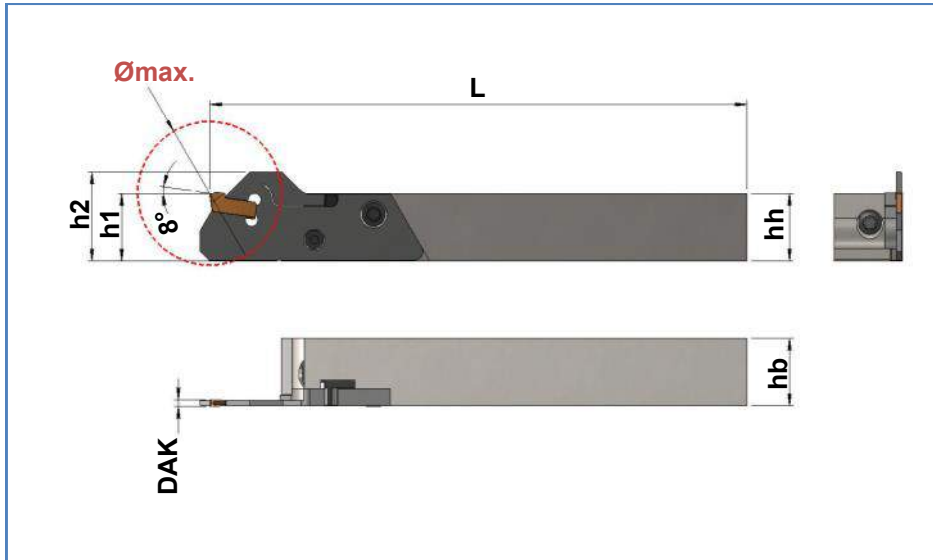
 Adapter  
 Adapteur

Art. Nr. Item no. No. d'art.	Best. Nr. Ref. no. Réf.	DAK	Ømax.
120115	DIE-DAK-U-16-42-R	1.6	42
120118	DIE-DAK-U-24-42-R	2.4	42
120117	DIE-DAK-U-32-42-R	3.2	42
121721	DIE-DAK-U-32-65-R	3.2	65

**6. HM-Wechselplatten**

 Carbide interchangeable inserts  
 Plaquettes interchangeables

				DAK-1.6...
				DAK-2.4...
				DAK-3.2...
				DAK-3.2...

**Abstechen / Parting off / Tronçonnage**
**DIE-DAK-U-2525-42-R**
**Art. Nr. 118595**

**1. Grundhalter**

 Basic tool holder  
 Porte-outil de base

Art. Nr. Item no. No. d'art.	Best. Nr. Ref. no. Réf.	hb	hh	h1 +0,05	h2	L
118595	DIE-DAK-U-2525-42-R	25	25	25	30	125

Nr. no.	Art. Nr. Item no. No. d'art.	Best. Nr. Ref. no. Réf.	Bezeichnung description désignation
(1x)	2 118593	DIE-DAK-U-4-R	Spannstück / Spanner / Tendeur
(3x)	3 102217	M4x9.5-T15	Spannschraube / Fixing screw / Vis de fixation

**5. Adapter**

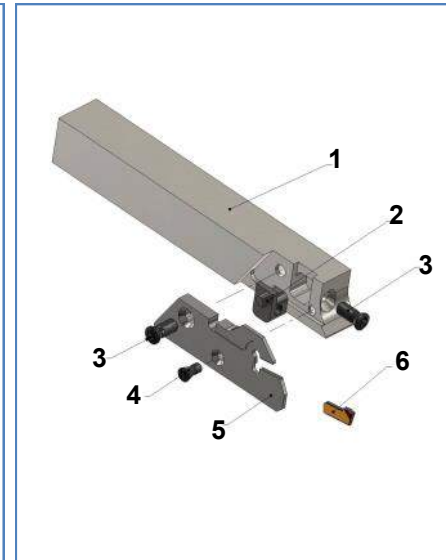
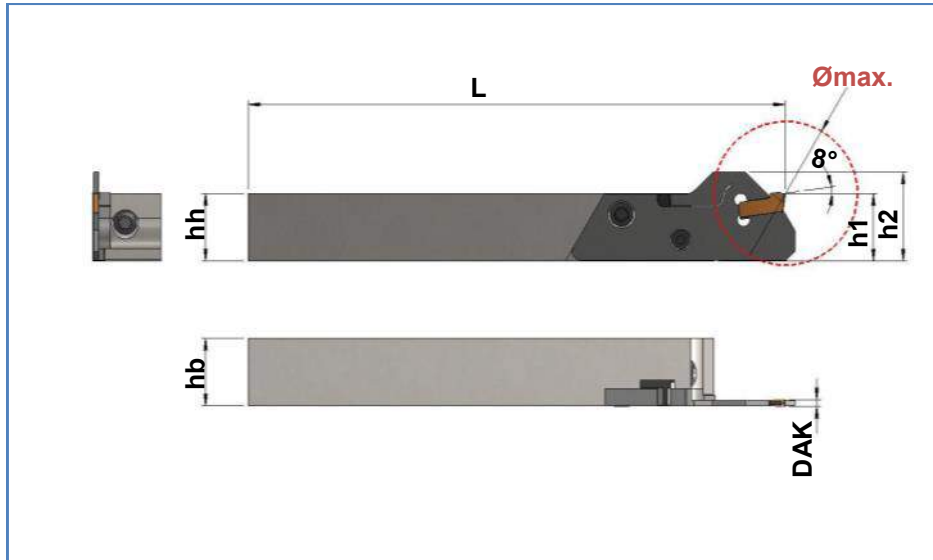
 Adapter  
 Adapteur

Art. Nr. Item no. No. d'art.	Best. Nr. Ref. no. Réf.	DAK	Ømax.
120115	DIE-DAK-U-16-42-R	1.6	42
120118	DIE-DAK-U-24-42-R	2.4	42
120117	DIE-DAK-U-32-42-R	3.2	42
121721	DIE-DAK-U-32-65-R	3.2	65

**6. HM-Wechselplatten**

 Carbide interchangeable inserts  
 Plaquettes interchangeables

				DAK-1.6...
				DAK-2.4...
				DAK-3.2...
				DAK-3.2...

**Abstechen / Parting off / Tronçonnage**
**DIE-DAK-U-1616-42-L**
**Art. Nr. 120301**

**1. Grundhalter**

 Basic tool holder  
 Porte-outil de base

Art. Nr. Item no. No. d'art.	Best. Nr. Ref. no. Réf.	hb	hh	h1 +0,05	h2	L
120301	DIE-DAK-U-1616-42-L	16	16	16	21	125

Nr. no.	Art. Nr. Item no. No. d'art.	Best. Nr. Ref. no. Réf.	Bezeichnung description désignation
(1x) 2	120297	DIE-DAK-U-4-L	Spannstück / Spanner / Tendeur
(2x) 3	102217	M4x9.5-T15	Spannschraube / Fixing screw / Vis de fixation
(1x) 4	102609	S305550-T8	Spannschraube / Fixing screw / Vis de fixation

**5. Adapter**

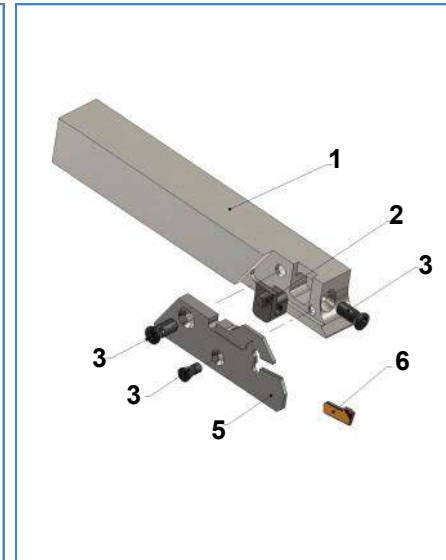
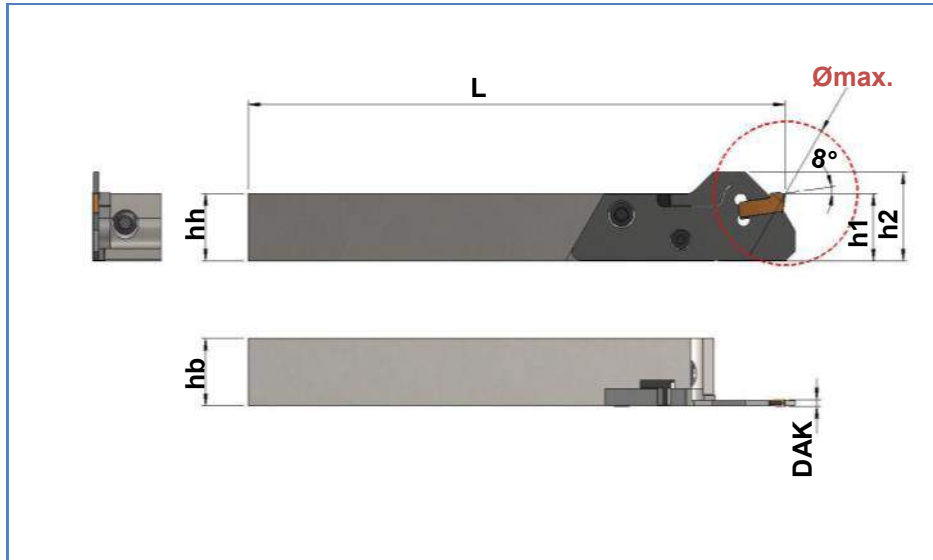
 Adapter  
 Adapteur

Art. Nr. Item no. No. d'art.	Best. Nr. Ref. no. Réf.	DAK	Ømax.
125066	DIE-DAK-U-16-16-17-L	1.6	34
120304	DIE-DAK-U-16-16-42-L	1.6	42
125067	DIE-DAK-U-16-24-17-L	2.4	34
120302	DIE-DAK-U-16-24-42-L	2.4	42

**6. HM-Wechselplatten**

 Carbide interchangeable inserts  
 Plaquettes interchangeables

				DAK-1.6...
				DAK-1.6...
				DAK-2.4...
				DAK-2.4...

**Abstechen / Parting off / Tronçonnage**
**DIE-DAK-U-2020-42-L**
**Art. Nr.121882**

**1. Grundhalter**

 Basic tool holder  
 Porte-outil de base

Art. Nr. Item no. No. d'art.	Best. Nr. Ref. no. Réf.	hb	hh	h1 +0,05	h2	L
121882	DIE-DAK-U-2020-42-L	20	20	20	25	125

Nr. no.	Art. Nr. Item no. No. d'art.	Best. Nr. Ref. no. Réf.	Bezeichnung description désignation
(1x)	2 120297	DIE-DAK-U-4-L	Spannstück / Spanner / Tendeur
(3x)	3 102217	M4x9.5-T15	Spannschraube / Fixing screw / Vis de fixation

**5. Adapter**

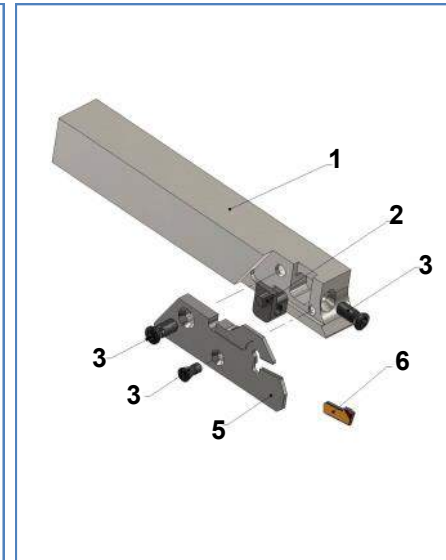
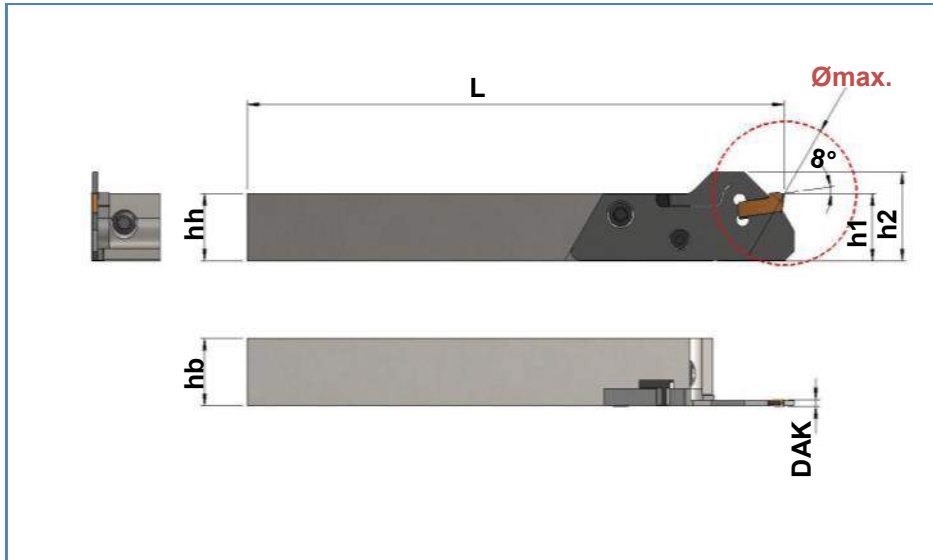
 Adapter  
 Adapteur

Art. Nr. Item no. No. d'art.	Best. Nr. Ref. no. Réf.	DAK	Ømax.
122791	DIE-DAK-U-16-42-L	1.6	42
122792	DIE-DAK-U-24-42-L	2.4	42
122793	DIE-DAK-U-32-42-L	3.2	42
122074	DIE-DAK-U-32-65-L	3.2	65

**6. HM-Wechselplatten**

 Carbide interchangeable inserts  
 Plaquettes interchangeables

				DAK-1.6...
				DAK-2.4...
				DAK-3.2...
				DAK-3.2...

**Abstechen / Parting off / Tronçonnage**
**DIE-DAK-U-2525-42-L**
**Art. Nr. 121883**

**1. Grundhalter**

 Basic tool holder  
 Porte-outil de base

Art. Nr. Item no. No. d'art.	Best. Nr. Ref. no. Réf.	hb	hh	h1 +0,05	h2	L
121883	DIE-DAK-U-2525-42-L	25	25	25	30	125

Nr. no.	Art. Nr. Item no. No. d'art.	Best. Nr. Ref. no. Réf.	Bezeichnung description désignation
(1x)	2	120297	DIE-DAK-U-4-L Spannstück / Spanner / Tendeur
(3x)	3	102217	M4x9.5-T15 Spannschraube / Fixing screw / Vis de fixation

**5. Adapter**

 Adapter  
 Adapteur

Art. Nr. Item no. No. d'art.	Best. Nr. Ref. no. Réf.	DAK	Ømax.
122791	DIE-DAK-U-16-42-L	1.6	42
122792	DIE-DAK-U-24-42-L	2.4	42
122793	DIE-DAK-U-32-42-L	3.2	42
122074	DIE-DAK-U-32-65-L	3.2	65

**6. HM-Wechselplatten**

 Carbide interchangeable inserts  
 Plaquettes interchangeables

				DAK-1.6...
				DAK-2.4...
				DAK-3.2...
				DAK-3.2...