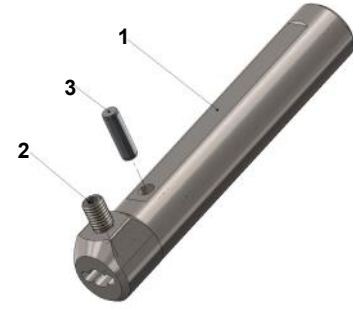
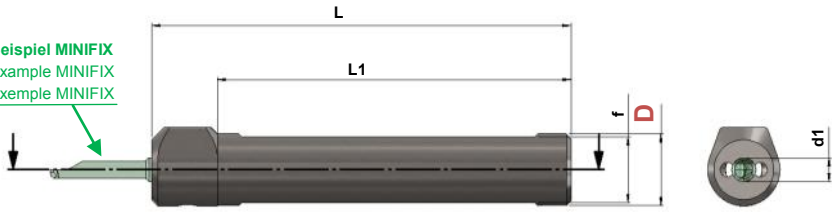


Adapter für Sxsystem MINIFIX Adapter for System MINIFIX Adapteur pour système MINIFIX

Beispiel MINIFIX
 Example MINIFIX
 Exemple MINIFIX



SF= mit ...Spannflächen
 with ... clamping surfaces
 avec...surfaces de fixation

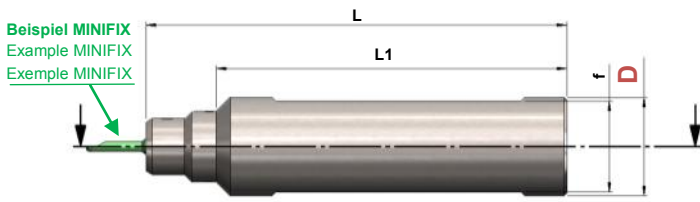
IK= Innere Kühlmittelzufuhr ->Ja
 Internal coolant supply ->yes
 Canal de lubrification ->oui

DG= IK-Anschluss...
 IC connection...
 Raccord canal lubrification...

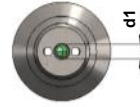
1										2		3	
Art. Nr. Item no. No. d'art.	Best. Nr. Ref. no. Réf.	d1	D	f	L	L1	SF	IK	DG	Art. Nr. Item no. No. d'art.	Best. Nr. Ref. no. Réf.	Art. Nr. Item no. No. d'art.	Best. Nr. Ref. no. Réf.
107350	MINIFIX-04-10-65-N	4	10	9	65	54	2	O	Ø4,2	107395	M4x6-DIN913-SW2	107394	Ø3x8-DIN6325
107351	MINIFIX-04-12-70-N	4	12	11	70	59	2	O	Ø6,1	107395	M4x6-DIN913-SW2	103964	Ø3x10-DIN6325
107353	MINIFIX-06-12-70-N	6	12	11	70	59	2	O	Ø6,1	107396	M5x6-DIN913-SW2,5	103964	Ø3x10-DIN6325
107433	MINIFIX-04-10-65-OS-N	4	10	-	65	54	-	O	Ø4,2	107395	M4x6-DIN913-SW2	107394	Ø3x8-DIN6325
107432	MINIFIX-04-12-70-OS-N	4	12	-	70	59	-	O	Ø6,1	107395	M4x6-DIN913-SW2	103964	Ø3x10-DIN6325
107431	MINIFIX-06-12-70-OS-N	6	12	-	70	59	-	O	Ø6,1	107396	M5x6-DIN913-SW2,5	103964	Ø3x10-DIN6325
116358	MINIFIX-06-12-70-OK-N	6	12	11	70	59	2	-	-	107396	M5x6-DIN913-SW2,5	103964	Ø3x10-DIN6325
116359	MINIFIX-06-16-75-OK-N	6	16	14	70	59	2	-	-	107263	M5x5-DIN913-SW2,5	103965	Ø3x12-DIN6325
107352	MINIFIX-04-16-75-N	4	16	14	75	-	2	O	M10x1	107395	M4x6-DIN913-SW2	103965	Ø3x12-DIN6325
107354	MINIFIX-06-16-75-N	6	16	14	75	-	2	O	M10x1	107263	M5x5-DIN913-SW2,5	103965	Ø3x12-DIN6325
107945	MINIFIX-04-19-120-N	4	19,04 (3/4")	17	120	-	2	O	M10x1	107395	M4x6-DIN913-SW2	103966	Ø3x16-DIN6325
107946	MINIFIX-06-19-120-N	6	19,04 (3/4")	17	120	-	2	O	M10x1	107396	M5x6-DIN913-SW2,5	103966	Ø3x16-DIN6325
107430	MINIFIX-04-16-75-OS-N	4	16	-	75	-	-	O	M10x1	107395	M4x6-DIN913-SW2	107463	Ø3x14-DIN6325
107429	MINIFIX-06-16-75-OS-N	6	16	-	75	-	-	O	M10x1	107263	M5x5-DIN913-SW2,5	107463	Ø3x14-DIN6325
107691	MINIFIX-04-19-75-OS-N	4	19,04 (3/4")	-	75	-	-	O	M10x1	107395	M4x6-DIN913-SW2	107687	Ø3x18-DIN6325
107692	MINIFIX-06-19-75-OS-N	6	19,04 (3/4")	-	75	-	-	O	M10x1	107263	M5x5-DIN913-SW2,5	107687	Ø3x18-DIN6325
107947	MINIFIX-04-20-90-N	4	20	18	90	-	3	O	M10x1	107395	M4x6-DIN913-SW2	103966	Ø3x16-DIN6325
107948	MINIFIX-06-20-90-N	6	20	18	90	-	3	O	M10x1	107396	M5x6-DIN913-SW2,5	103966	Ø3x16-DIN6325
109124	MINIFIX-04-22-90-N	4	22	20	90	-	3	O	M10x1	107395	M4x6-DIN913-SW2	103966	Ø3x16-DIN6325
109125	MINIFIX-06-22-90-N	6	22	20	90	-	3	O	M10x1	107396	M5x6-DIN913-SW2,5	103966	Ø3x16-DIN6325
109126	MINIFIX-04-23-90-N	4	23	21	90	-	3	O	M10x1	107395	M4x6-DIN913-SW2	103966	Ø3x16-DIN6325
109127	MINIFIX-06-23-90-N	6	23	21	90	-	3	O	M10x1	107396	M5x6-DIN913-SW2,5	103966	Ø3x16-DIN6325

Andere Abmessungen auf Anfrage / Other dimensions on request / Autres dimensions sur demande

Adapter für Sxsystem MINIFIX Adapter for System MINIFIX Adapteur pour système MINIFIX



Beispiel MINIFIX
 Example MINIFIX
 Exemple MINIFIX

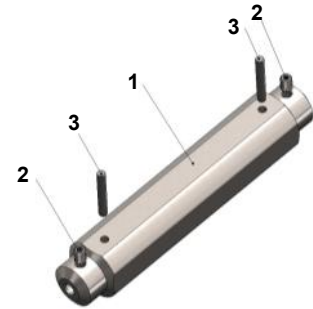
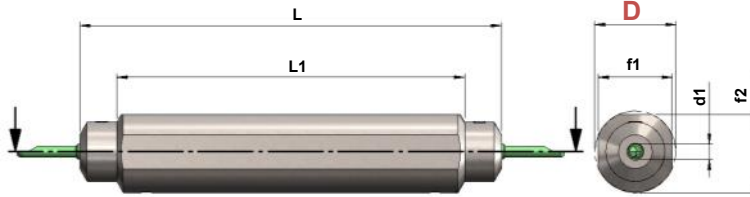


SF= mit ...Spannflächen
 with ... clamping surfaces
 avec...surfaces de fixation

IK= Innere Kühlmittelzufuhr ->Ja
 Internal coolant supply ->yes
 Canal de lubrification ->oui

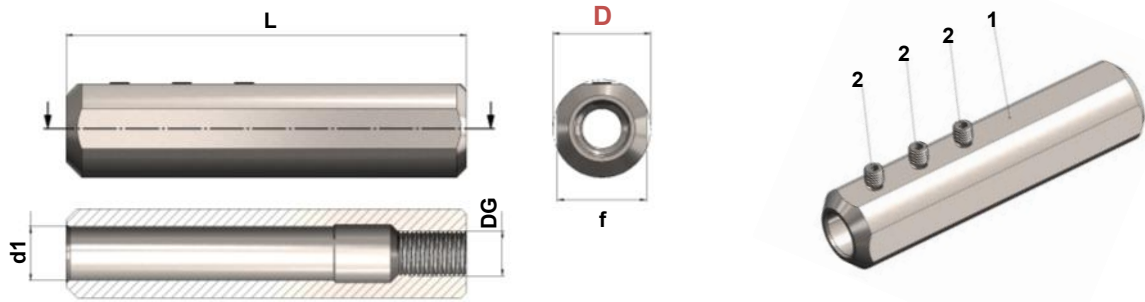
DG= IK-Anschluss...
 IC connection...
 Raccord canal lubrification...

1										2		3	
Art. Nr. Item no. No. d'art.	Best. Nr. Ref. no. Réf.	d1	D	f	L	L1	SF	IK	DG	Art. Nr. Item no. No. d'art.	Best. Nr. Ref. no. Réf.	Art. Nr. Item no. No. d'art.	Best. Nr. Ref. no. Réf.
107688	MINIFIX-04-25-150-N	4	25	23	150	-	3	O	M10x1	107585	M4x8-DIN913-SW2	107586	Ø3x24-DIN6325
107689	MINIFIX-06-25-150-N	6	25	23	150	-	3	O	M10x1	107396	M5x6-DIN913-SW2,5	107586	Ø3x24-DIN6325
108748	MINIFIX-04-28-120-N	4	28	26	120	-	2	O	M12x1	107395	M4x6-DIN913-SW2	108710	Ø3x20-DIN6325
108749	MINIFIX-06-28-120-N	6	28	26	120	-	2	O	M12x1	107263	M5x5-DIN913-SW2,5	108710	Ø3x20-DIN6325



1										2		3	
Art. Nr. Item no. No. d'art.	Best. Nr. Ref. no. Réf.	d1	D	f1	L	L1	SF	IK	DG	Art. Nr. Item no. No. d'art.	Best. Nr. Ref. no. Réf.	Art. Nr. Item no. No. d'art.	Best. Nr. Ref. no. Réf.
127416	MINIFIX-04-20-80-LR	4	20	18	19	80	60	3	-	107395	M4x6-DIN913-SW2	107687	Ø3x18-DIN6325
108413	MINIFIX-04-22-114-LR	4	22	20	21	114	94	3	-	107395	M4x6-DIN913-SW2	108710	Ø3x20-DIN6325
108414	MINIFIX-06-22-114-LR	6	22	20	21	114	94	3	-	107263	M5x5-DIN913-SW2,5	108710	Ø3x20-DIN6325

Adapter Adapter Adapteur



SF= mit ...Spannflächen
 with ... clamping surfaces
 avec...surfaces de fixation

IK= Innere Kühlmittelzufuhr ->Ja
 Internal coolant supply ->yes
 Canal de lubrification ->oui

DG= IK-Anschluss...
 IC connection...
 Raccord canal lubrification...

1									2	
Art. Nr. Item no. No. d'art.	Best. Nr. Ref. no. Réf.	d1	D	f	L	SF	IK	DG	Art. Nr. Item no. No. d'art.	Best. Nr. Ref. no. Réf.
108411	MINIFIX-04-06-22-91-N	12	22	20	91	3	O	M10x1	107263	M5x5-DIN913-SW2,5
108412	MINIFIX-04-06-22-118-N	12	22	20	118	3	O	M10x1	107263	M5x5-DIN913-SW2,5
108262	A-75-16-08-N	8	16	15	75	3	-	-	102216	M4x4-DIN913-SW2,0
100355	A-75-16-10-N	10	16	15	75	3	-	-	102215	M4x3-DIN913-SW2,0
144133	A-75-19.05-SA-10-N	10	19,05	18	75	3	-	-	107263	M5x5-DIN913-SW2,5
108261	A-75-20-08-N	08	20	18	75	3	-	-	107263	M5x5-DIN913-SW2,5
100356	A-75-20-10-N	10	20	18	75	3	-	-	107263	M5x5-DIN913-SW2,5

Für Maschine For machine Pour machine	Art. Nr. Item no. No. d'art	Best. Nr. Ref. no. Réf.
STAR	108411 108412 108413 108414	MINIFIX-04-06-22-91-N MINIFIX-04-06-22-118-N MINIFIX-04-22-114-LR MINIFIX-06-22-114-LR
Traub TNL-12	108748 108749	MINIFIX-04-28-120-N MINIFIX-06-28-120-N
Citizen B12 3/4"	107691 107692	MINIFIX-04-19-75-OS-N MINIFIX-06-19-75-OS-N
Citizen B12	107947 107948	MINIFIX-04-20-90-N
Citizen L16/L20 3/4"	107945 107946	MINIFIX-04-19-120-N MINIFIX-06-19-120-N
Deco 20/26	107688 107689	MINIFIX-04-25-150-N