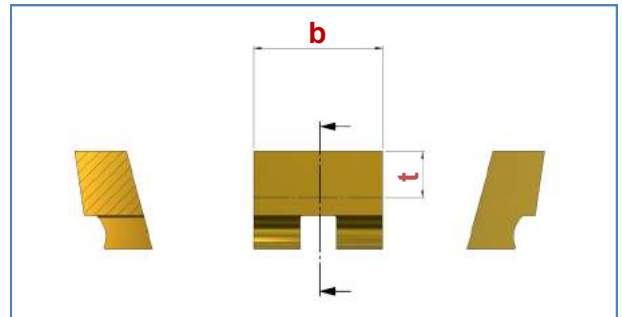
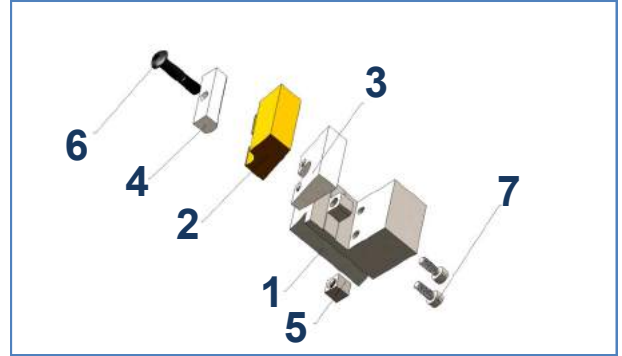
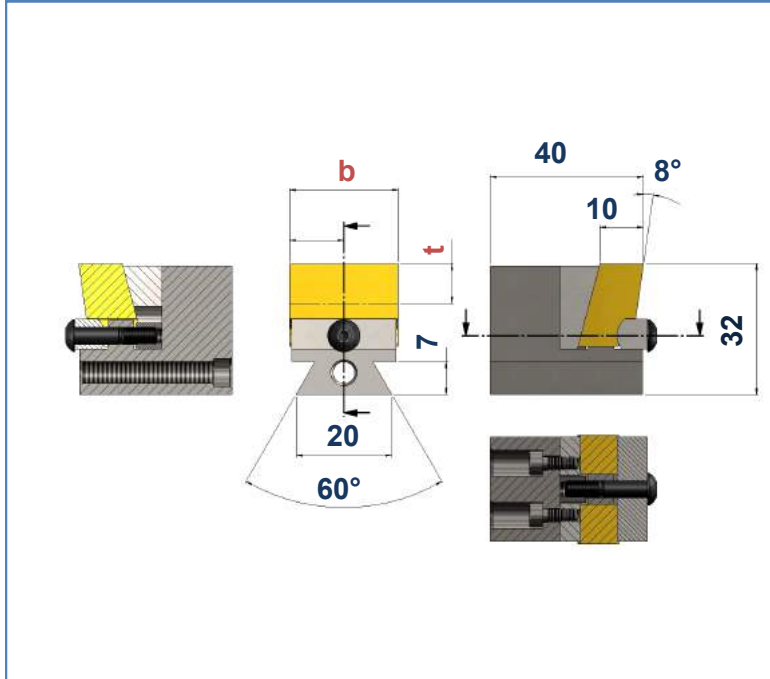


### AWN-20-BFH-...M

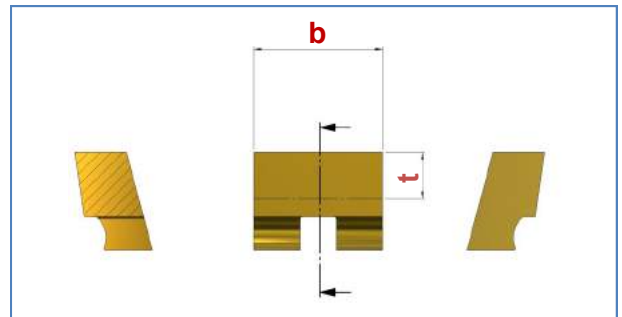
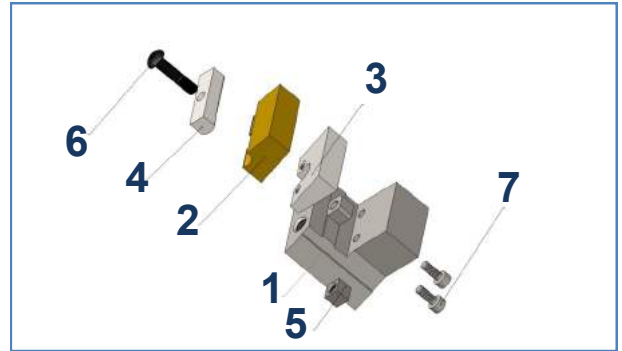
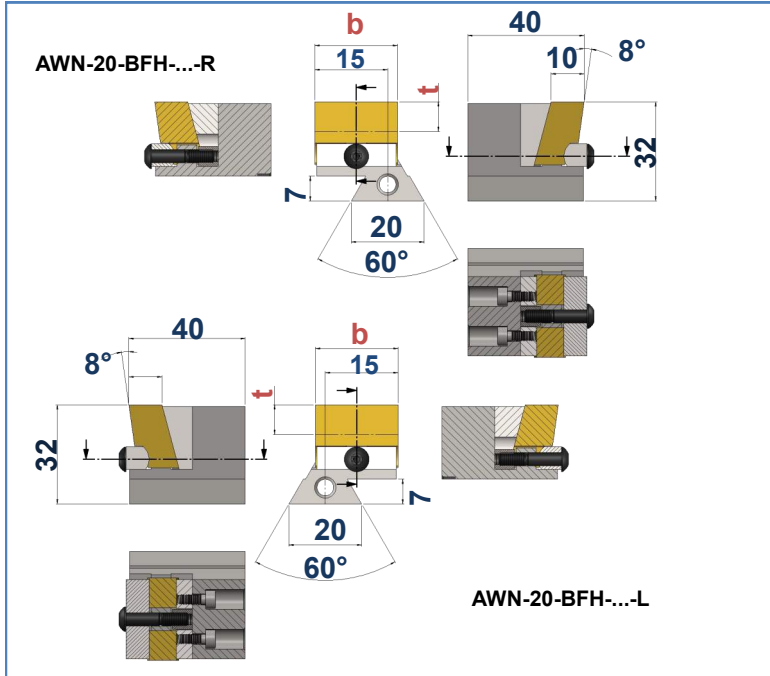
max. Formtiefe: **t = 9 mm**  
 max. depth of form: **t = 9 mm**  
 max. profondeur de profil: **t = 9 mm**



	AWN20-BFH-20-M b = 20	AWN20-BFH-25-M b = 25	AWN20-BFH-30-M b = 30	AWN20-BFH-35-M b = 35	AWN20-BFH-40-M b = 40
	Art. Nr./Item no./No. d'art. Best. Nr./Ref. no./Réf.	Art. Nr./Item no./No. d'art. Best. Nr./Ref. no./Réf.	Art. Nr./Item no./No. d'art. Best. Nr./Ref. no./Réf.	Art. Nr./Item no./No. d'art. Best. Nr./Ref. no./Réf.	Art. Nr./Item no./No. d'art. Best. Nr./Ref. no./Réf.
1	100634 AWN20-BFH-20-M	100636 AWN20-BFH-25-M	100637 AWN20-BFH-30-M	100638 AWN20-BFH-35-M	100639 AWN20-BFH-40-M
2	100670 BFP-20-FK	100674 BFP-25-FK	100681 BFP-30-FK	100685 BFP-35-FK	100691 BFP-40-FK
	100671 BFP-20-K10	100677 BFP-25-K10	100682 BFP-30-K10	100687 BFP-35-K10	100693 BFP-40-K10
3	101662 GP-20	101663 GP-25	101664 GP-30	101665 GP-35	101666 GP-40
4	102098 KL-20	102099 KL-25	102100 KL-30	102101 KL-35	102102 KL-40
5	101681 GS-4	101681 GS-4	101681 GS-4	101681 GS-4	101681 GS-4
6	103429 SP-19 Torx T15	103429 SP-19 Torx T15	103429 SP-19 Torx T15	103429 SP-19 Torx T15	103429 SP-19 Torx T15
7	101115 M3x8 DIN912 SW2.5	101115 M3x8 DIN912 SW2.5	101115 M3x8 DIN912 SW2.5	101115 M3x8 DIN912 SW2.5	101115 M3x8 DIN912 SW2.5

### AWN-20-BFH-...-R/L

max. Formtiefe: **t = 9 mm**  
 max. depth of form: **t = 9 mm**  
 max. profondeur de profil: **t = 9 mm**



	AWN-20-BFH-20-R b = 20	AWN-20-BFH-20-L b = 20
	Art. Nr./Item no./No. d'art. Best. Nr./Ref. no./Réf.	Art. Nr./Item no./No. d'art. Best. Nr./Ref. no./Réf.
1	100635 AWN20-BFH-20-R	100633 AWN20-BFH-20-L
2	100670 BFP-20-FK	100670 BFP-20-FK
	100671 BFP-20-K10	100671 BFP-20-K10
3	101662 GP-20	101662 GP-20
4	102098 KL-20	102098 KL-20
5	101681 GS-4	101681 GS-4
6	103429 SP-19 Torx T15	103429 SP-19 Torx T15
7	101115 M3x8 DIN912 SW2.5	101115 M3x8 DIN912 SW2.5