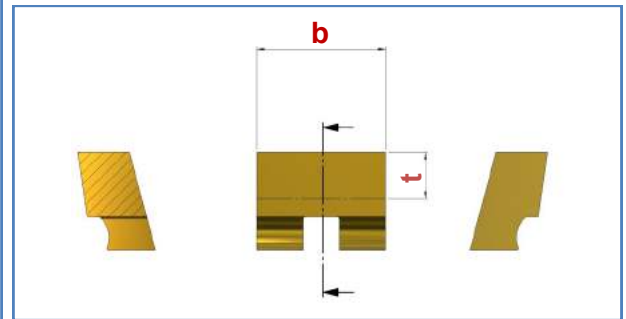
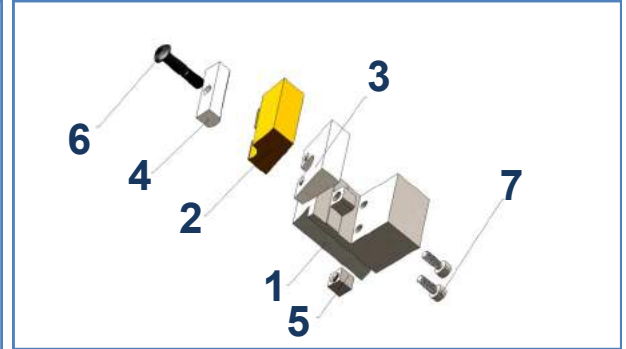
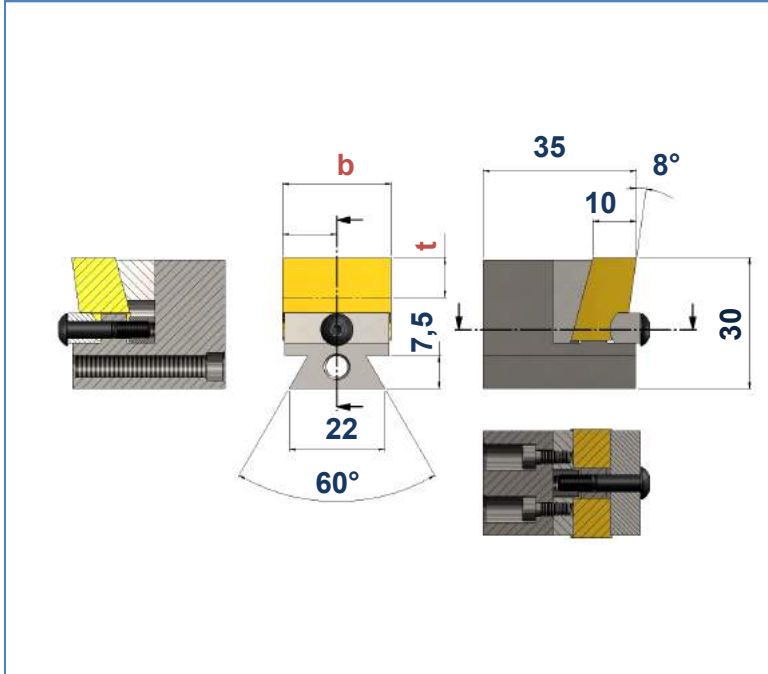


TO-22-BFH-...M

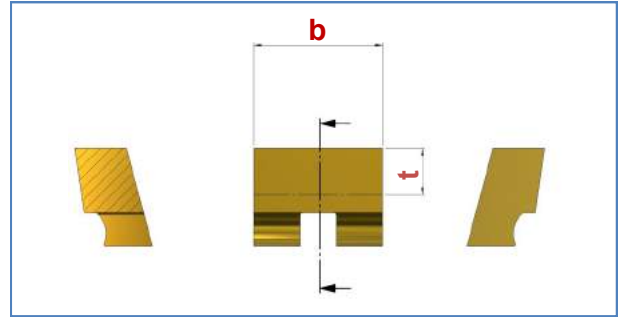
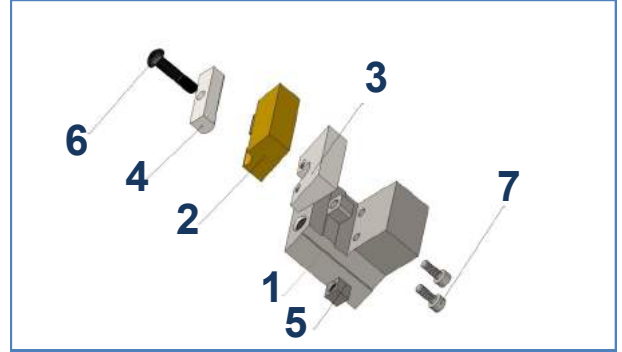
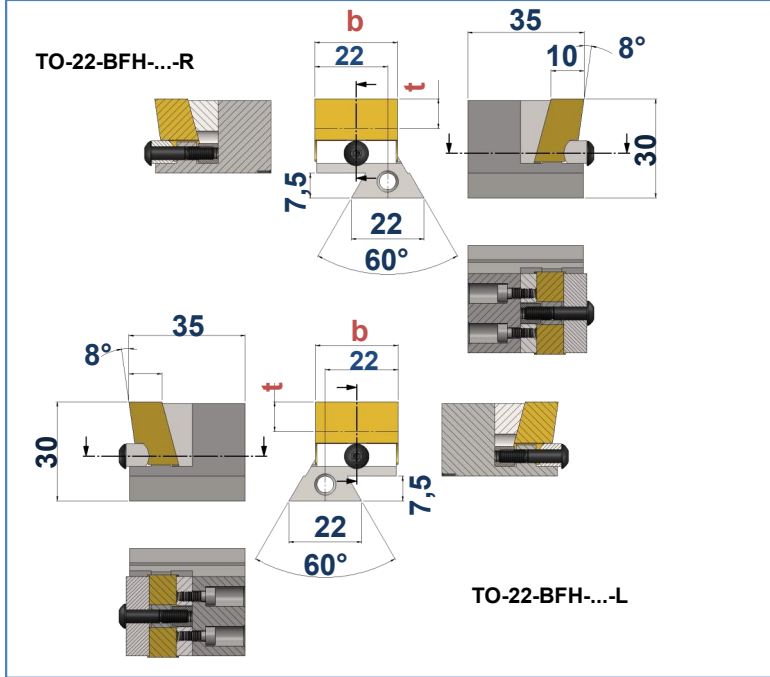
max. Formtiefe: $t = 9$ mm
 max. depth of form: $t = 9$ mm
 max. profondeur de profil: $t = 9$ mm



	TO-22-BFH-20-M b = 20	TO-22-BFH-25-M b = 25
	Art. Nr./Item no./No. d'art. Best. Nr./Ref. no./Réf.	Art. Nr./Item no./No. d'art. Best. Nr./Ref. no./Réf.
1	103728 TO-22-BFH-20-M	108496 TO-22-BFH-25-M
2	100670 BFP-20-FK	100674 BFP-25-FK
	100671 BFP-20-K10	100677 BFP-25-K10
3	101662 GP-20	101663 GP-25
4	102098 KL-20	102099 KL-25
5	101681 GS-4	101681 GS-4
6	103429 SP-19 Torx T15	103429 SP-19 Torx T15
7	101115 M3x8 DIN912 SW2.5	101115 M3x8 DIN912 SW2.5

TO-22-BFH-...-R/L

max. Formtiefe: $t = 9$ mm
 max. depth of form: $t = 9$ mm
 max. profondeur de profil: $t = 9$ mm



	TO-22-BFH-20-R b = 20	TO-22-BFH-20-L b = 20	TO-22-BFH-25-R b = 25	TO-22-BFH-25-L b = 25
	Art. Nr./Item no./No. d'art. Best. Nr./Ref. no./Réf.	Art. Nr./Item no./No. d'art. Best. Nr./Ref. no./Réf.	Art. Nr./Item no./No. d'art. Best. Nr./Ref. no./Réf.	Art. Nr./Item no./No. d'art. Best. Nr./Ref. no./Réf.
1	103730 TO-22-BFH-20-R	103729 TO-22-BFH-20-L	108497 TO-22-BFH-25-R	108720 TO-22-BFH-25-L
2	100670 BFP-20-FK	100670 BFP-20-FK	100674 BFP-25-FK	100674 BFP-25-FK
	100671 BFP-20-K10	100671 BFP-20-K10	100677 BFP-25-K10	100677 BFP-25-K10
3	101662 GP-20	101662 GP-20	101663 GP-25	101663 GP-25
4	102098 KL-20	102098 KL-20	102099 KL-25	102099 KL-25
5	101681 GS-4	101681 GS-4	101681 GS-4	101681 GS-4
6	103429 SP-19 Torx T15	103429 SP-19 Torx T15	103429 SP-19 Torx T15	103429 SP-19 Torx T15
7	101115 M3x8 DIN912 SW2.5	101115 M3x8 DIN912 SW2.5	101115 M3x8 DIN912 SW2.5	101115 M3x8 DIN912 SW2.5